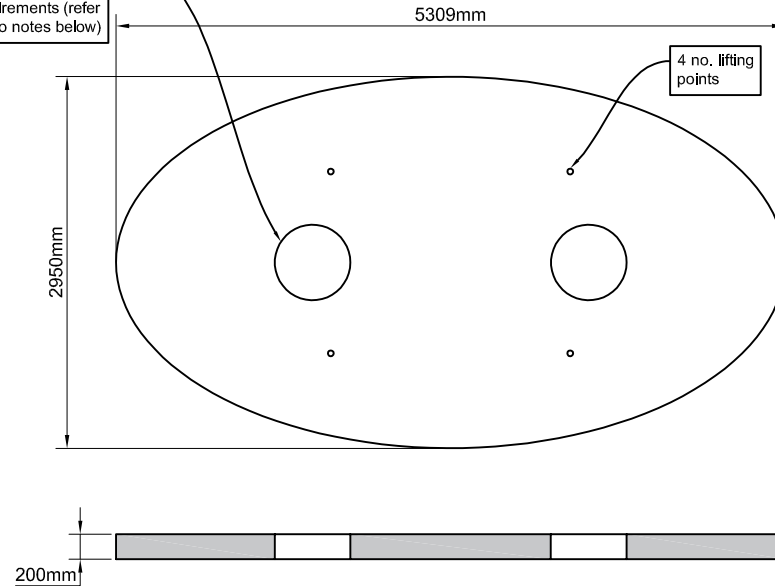


4 no. lifting points

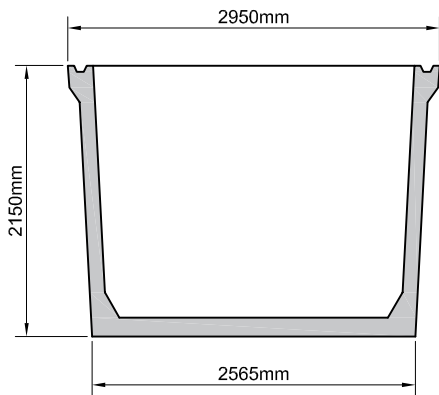
TANK PLAN

Manhole access sizes and locations can be customised to suit client requirements (refer to notes below)

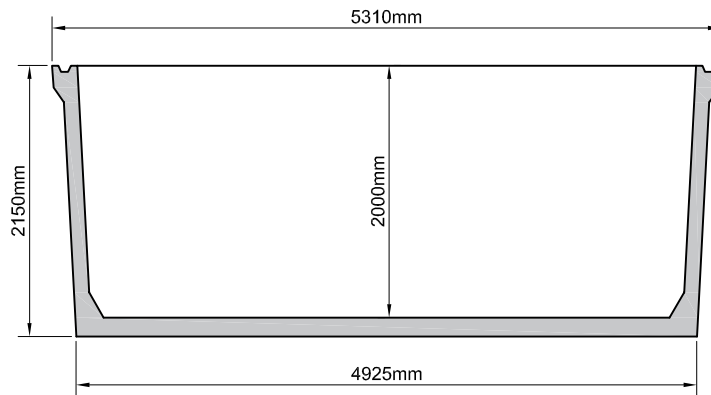


4 no. lifting points

LID PLAN AND SECTION



TANK SECTION



Available Cores	Core size	Max Invert from base
	63mm	1,775mm
	110mm (4")	1,730mm
	160mm (6")	1,680mm
	250mm (9")	1,590mm
	315mm (12")	1,525mm

Available Manhole openings

- A - 600mm diameter
- B - 600mm by 600mm
- C - 700mm by 700mm
- D - 1,200 by 750mm
- E - 1,400 by 800mm

Tank lifting limitations:
Max chain angle < 60°

Damage caused by incorrect lifting is the responsibility of others

- Notes:**
- Observe all safety regulations in regard to excavation and lifting requirements. Never leave opening uncovered or unattended at any time
 - Specify any specific requirements prior to ordering. All civil works by customer
 - Do not scale from this drawing. Only for illustration purposes

Clara Rd., Tullamore, Co. Offaly
 T: 057 9326000 E: info@molloyprecast.com
 F: 057 9326060 W: www.molloyprecast.com

Title: O tank Drawing

Drg. no.: PT-O-01-081119

Capacity: 18,000 litres

Weight: Tank - 10,750kg
Lid - 5,660 kg

Date: 08/11/2019

Drawn by: SF **Checked by:** _____