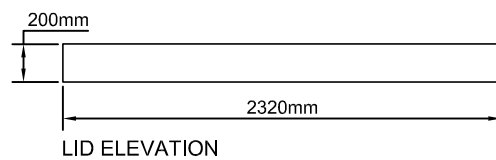
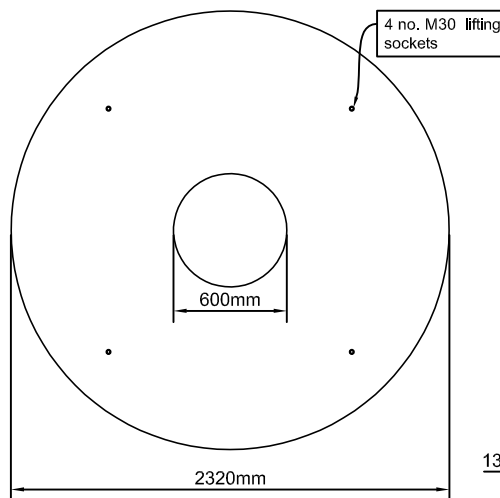


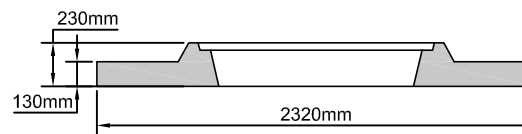
TANK/RISER PLAN



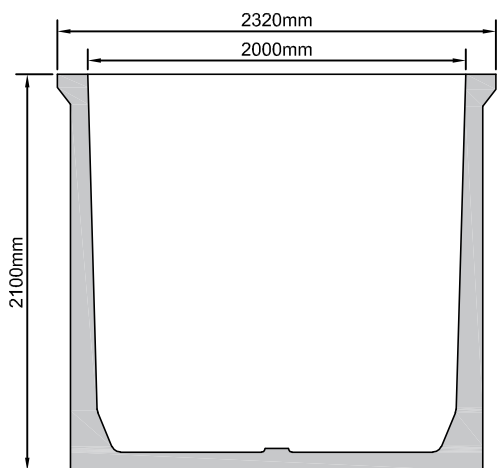
LID ELEVATION



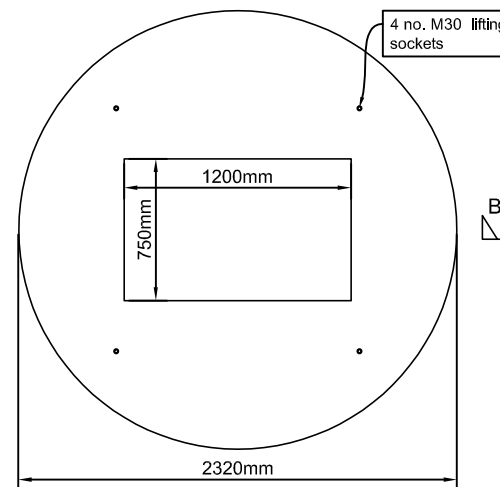
HEAVY DUTY LID PLAN option 1: 600mm opening



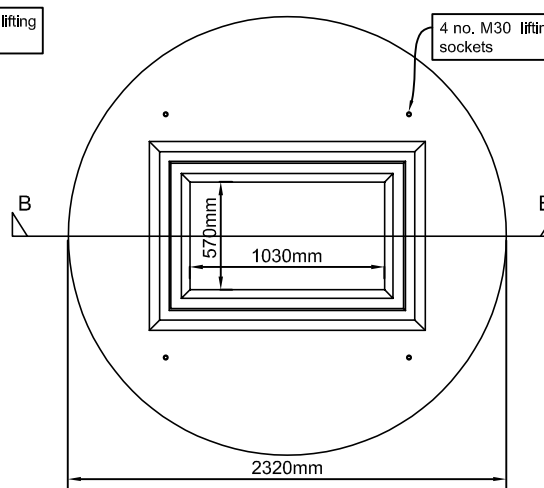
HEAVY DUTY LID SECTION through B-B



TANK SECTION through A-A



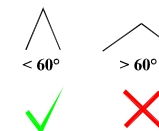
HEAVY DUTY LID PLAN option 2: 1,200 X 750mm opening



LIGHT DUTY LID PLAN option 3: 1,030 X 570mm opening

Available Cores	Core size	Max invert from base
	63mm	1,850mm
	110mm (4")	1,800mm
	160mm (6")	1,750mm
	250mm (9")	1,670mm
	315mm (12")	1,600mm

Tank lifting limitations:  
Max chain angle < 60°



Damage caused by incorrect lifting is the responsibility of others

Notes:

- Observe all safety regulations in regard to excavation and lifting requirements. Never leave opening uncovered or unattended at any time
- Specify any specific requirements prior to ordering. All civil works by customer
- Do not scale from this drawing. Only for illustration purposes

**MOLLOY**  
ENVIRONMENTAL SYSTEMS

Clara Rd., Tullamore, Co. Offaly

T: 057 9326000 E: info@molloyprecast.com

F: 057 9326060 W: www.molloyprecast.com



Title: S tank & lids drawing

Drg. no.: PT-S-01-201118

Capacity: 6,000 litres

Weight: Tank - 4,040 kg

Lid, option 1: 1,825 kg

Lid, option 2: 1,515 kg

Lid, option 3: 1,210 kg

Date: 20/11/2018

Drawn by: SF Checked by: KR