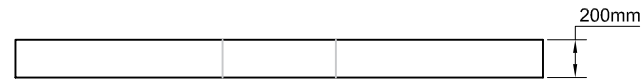
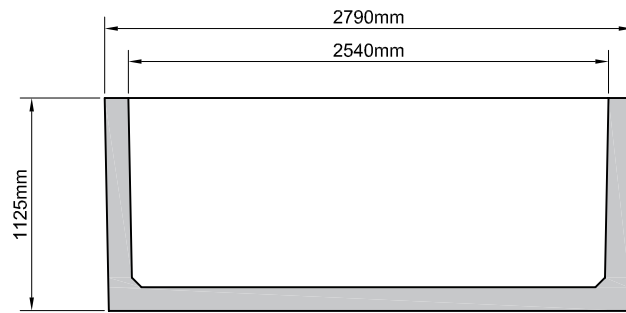


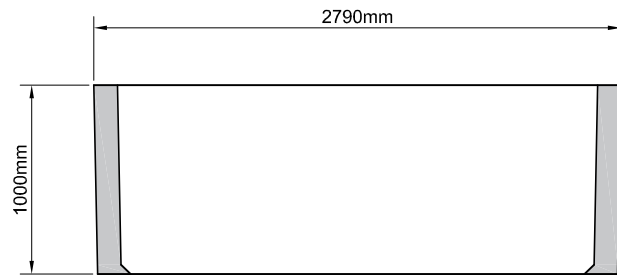
TANK/RISER PLAN



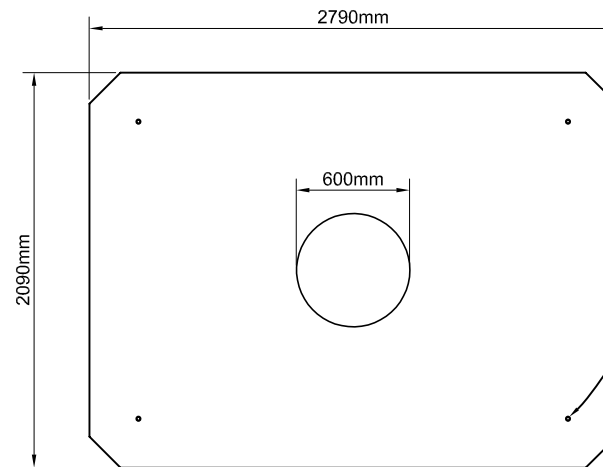
LID ELEVATION



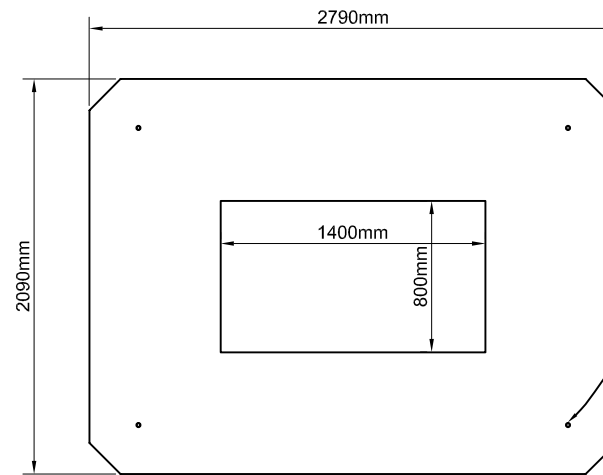
TANK SECTION through A-A



RISER SECTION through A-A



LID PLAN option 1: 600mm opening



LID PLAN option 2: 1,400 X 800mm opening

Tank lifting limitations:
Max chain angle <math>< 60^\circ</math>

Damage caused by incorrect lifting is the responsibility of others

Notes:

- Observe all safety regulations in regard to excavation and lifting requirements. Never leave opening uncovered or unattended at any time
- Specify any specific requirements prior to ordering. All civil works by customer
- Do not scale from this drawing. Only for illustration purposes

Clara Rd., Tullamore, Co. Offaly
 T: 057 9326000 E: Info@molloyprecast.com
 F: 057 9326060 W: www.molloyprecast.com

Title: T tank/T tank riser and lids drawing
 Drg. no.: PT-T-01-140520
 Capacity: 4,500 litres
 Weight: Tank - 4,310 kg
 Riser - 2,690 kg
 Lid, option 1: 2,530 kg
 Lid, option 2: 2,145 kg
 Date: 14/05/2020
 Drawn by: SF